

Freeing Existing Phone Lines for New Users

When you need to add lines for your business, the cost may be prohibitive and the additions disruptive or even impossible. Instead of adding lines, make better use of you current lines. The Teltone Line Sharing Switch and Polling Controller can maximize line usage by connecting up to four devices per line. In effect, you have added telephone lines without the difficulty of purchasing and installing new lines.

The Line Sharing Switch and Polling Controller Reference Manuals are available for download at www.teltone.com.

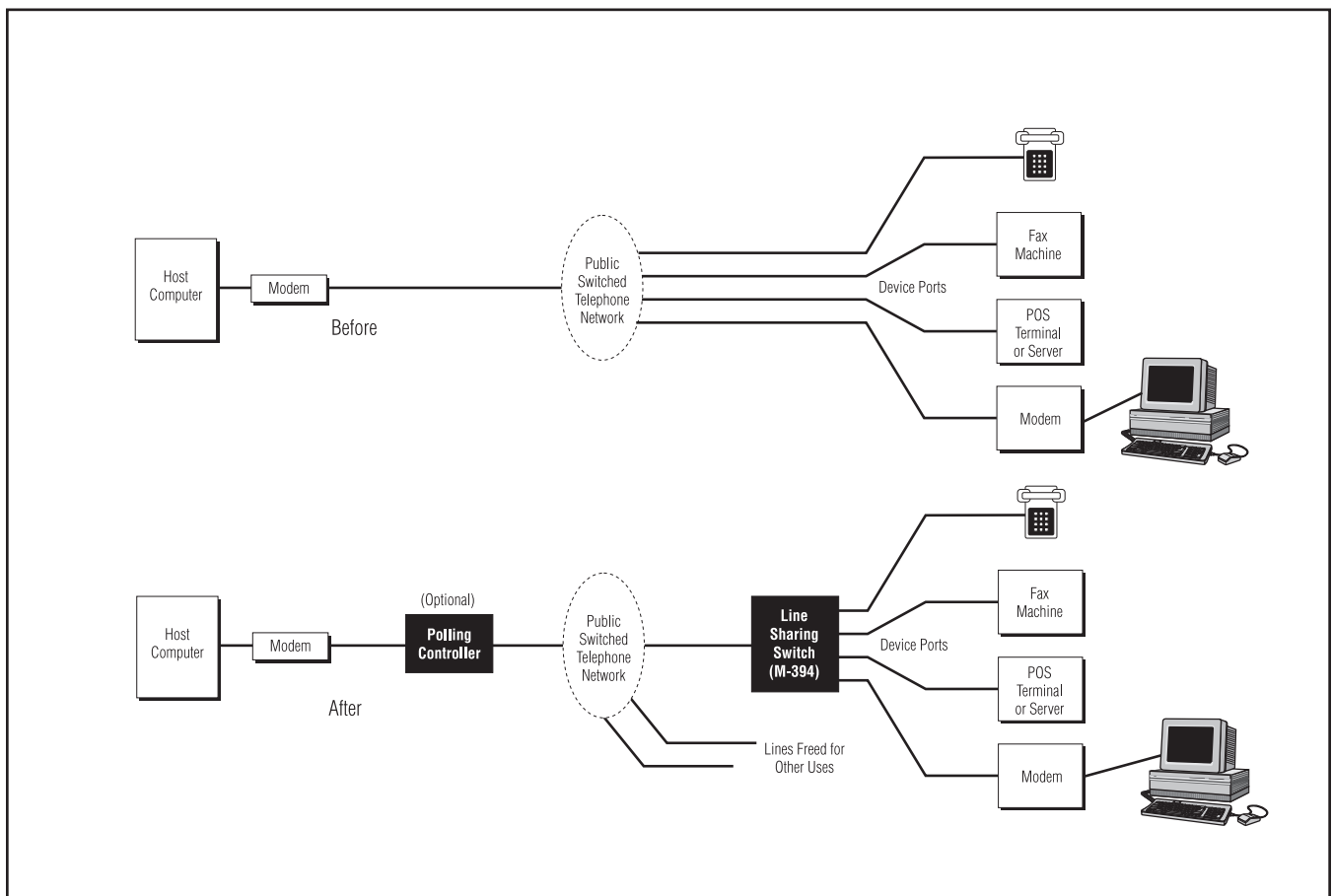


Figure 1