

# Connecting the Line Sharing Switch to a Key Telephone System

Connecting the Line Sharing Switch (LSS) in series with the lowest priority central office line to a key telephone system enables all the benefits of the LSS without degrading incoming or outgoing calls. The LSS directs all incoming calls to either the key telephone system or to one of three shared devices without adding additional central office lines.

With this configuration, you don't lose any of the capabilities of your dedicated line in handling voice traffic. Rather, you have the ability to connect additional devices while enjoying the cost savings of line consolidation (See Figure 1.)

To utilize this application, connect the Line Sharing Switch in front of the key telephone system on the lowest priority incoming line. If an incoming call does not have routing codes, it is directed to the key telephone system. If, however, a call does have routing codes, it will be directed to the designated shared device. To reach one of the shared devices, the number called must be the central office line to which the LSS is connected.

The installation of the RJ-11 and RJ-31x modular connector blocks between the incoming line and the key system, ensures that incoming calls are routed through the LSS when the modular cables are inserted into the connector blocks. Incoming calls are routed directly to the key system when the cables are removed.

The Tip/Ring pair from the central office is connected to pins 4 and 5 of the RJ-31x connector block. Pins 1 and 8 of the RJ-31x are connected to pins 3 and 4 of the RJ-11 connector block. The line to the key system is also connected to pins 3 and 4 of the RJ-11 block.

When the modular cord is connected between jack A of the LSS and the RJ-31x, the central office line is routed to the Line Sharing Switch.

Incoming calls without routing codes are sent to the key system via the modular cord connected between Port 1 of the LSS and RJ-11 connector block.

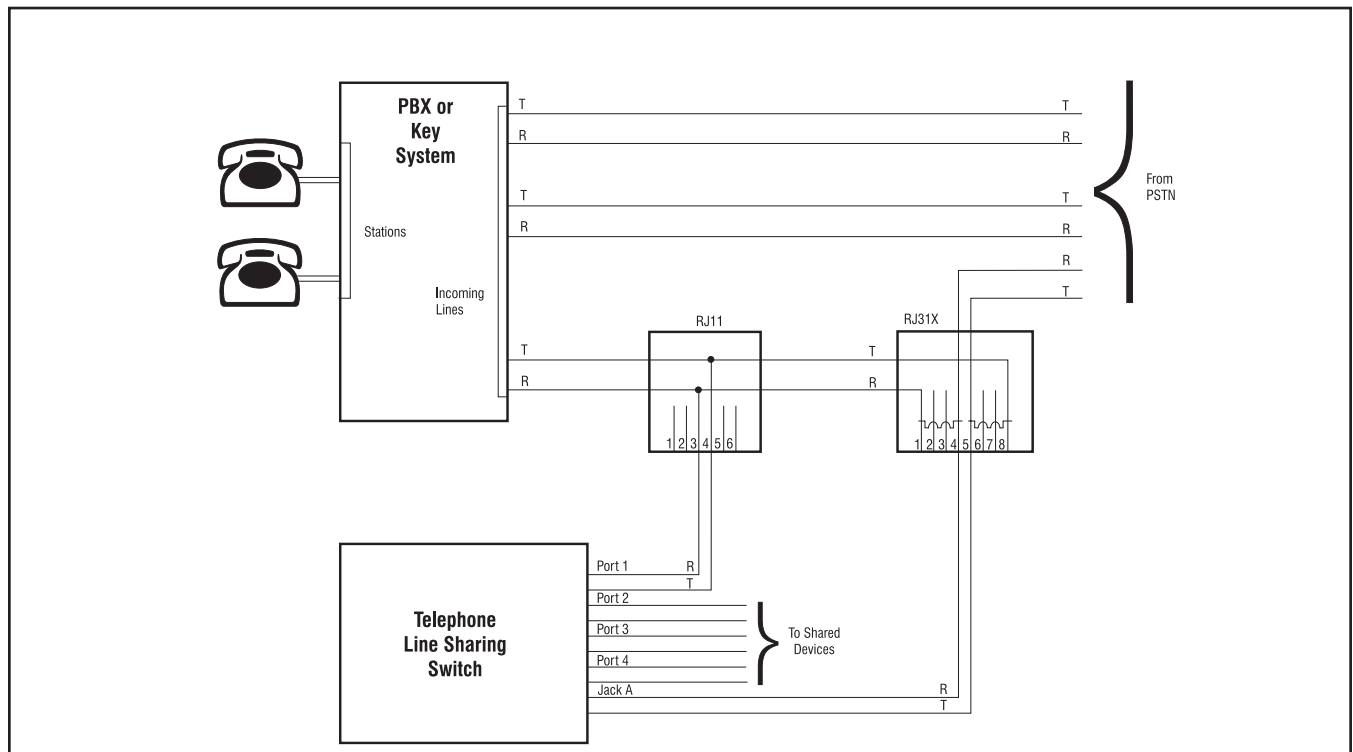


Figure 1