

2 & 4 Wire Leased Line Simulation (Wet Line – Battery Applied)

The TelTone TLS-4/5 product line can simulate a 2 wire “Wet” leased line by completing a few programming steps. These steps are as follows:

This programming session will cause Line 1 and Line 2 to operate without any call progress tones, without any ringing signals, and be connected to each other when both devices are taken off-hook.

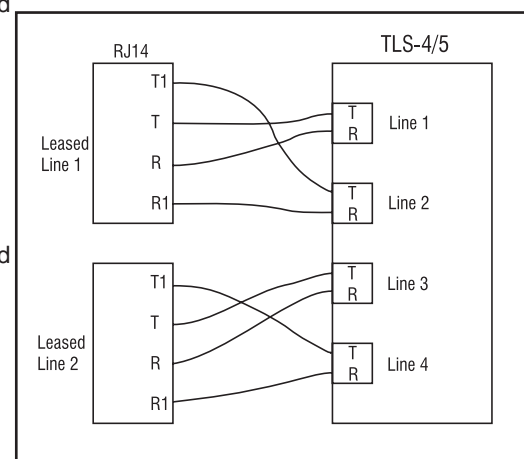
1. Place a telephone into Line 1 and enter Programming Mode. (Go off-hook and dial ****99##**)
2. Dial ***01#** to select Line 1. (Line 1 LED will blink on/off)
3. Dial ***13#202#** to connect to Line 2 when command ***32#1#** is invoked.
4. Dial ***32#1#** to select the off-hook mode to ring the number programmed using Command 13.
5. Dial ***23#0#0##** to change the Ring Cadence for the Second Telephone Number to 0 S on/0 S off.
6. Dial ***38#0#** to disable Forced Disconnect operation (optional).
7. Dial ***02#** to select Line 2. (Line 2 LED will blink on/off)
8. Dial ***13#201#** to connect to Line 2 when command ***32#1#** is invoked.
9. Dial ***32#1#** to select the off-hook mode to ring the number programmed using Command 13.
10. Dial ***23#0#0##** to change the Ring Cadence for the Second Telephone Number to 0 S on/0 S off.
11. Dial ***38#0#** to disable Forced Disconnect operation (optional).
12. Hang up the telephone to complete the programming.

Special Note for TLS-4 users: When a line goes off-hook, an audible ringback tone will be heard until the second party goes off-hook to complete the connection. The TLS-5 is silent during this time.

Note: If Forced Disconnect is required, change the tone following Disconnect to Silence (***39#3#**) for each line and do not change the Forced Disconnect option (***38#1#** - default enabled).

4 wire Leased Line applications require that you use an external demarcation block (see drawing).

1. Place a telephone into line 1 and enter the Programming Mode. (Go off-hook and dial ****99##**.)
2. Dial ***01#** to select Line 1. (Line 1 LED will blink on/off)
3. Dial ***13#203#** to connect to Line 3 when command ***32#1#** is invoked.
4. Dial ***32#1#** to select the off-hook mode to ring the number programmed using command 13.
5. Dial ***23#0#0##** to change the ring cadence for the Second Telephone Number to 0S on/0S off.
6. Dial ***38#0#** to disable Forced Disconnect operation (optional).
7. Dial ***02#** to select Line 2. (Line 2 LED will blink on/off)
8. Dial ***13#204#** to connect to Line 4 when command ***32#1#** is invoked.
9. Dial ***32#1#** to select the off-hook mode to ring the number programmed using command 13.
10. Dial ***23#0#0##** to change the ring cadence for the Second Telephone Number to 0S on/0S off.
11. Dial ***38#0#** to disable Forced Disconnect operation (optional).
12. Dial ***03#** to select Line 3. (Line 3 LED will blink on/off.)
13. Dial ***13#201#** to connect to Line 1 when command ***32#1#** is invoked.
14. Dial ***32#1#** to select the off-hook mode to ring the number programmed using command 13.
15. Dial ***23#0#0##** to change the ring cadence for the Second Telephone Number to 0S on/0S off.
16. Dial ***38#0#** to disable Forced Disconnect operation (optional).



17. Dial ***04#** to select Line 4. (Line 4 LED will blink on/off)
18. Dial ***13#202#** to connect to Line 2 when command ***32#1#** is invoked.
19. Dial ***32#1#** to select the off-hook mode to ring the number programmed using command 13.
20. Dial ***23#0#0##** to change the ring cadence for the Second Telephone Number to OS on/OS off.
21. Dial ***38#0#** to disable Forced Disconnect operation (optional).
22. Hang up the telephone to complete the programming.