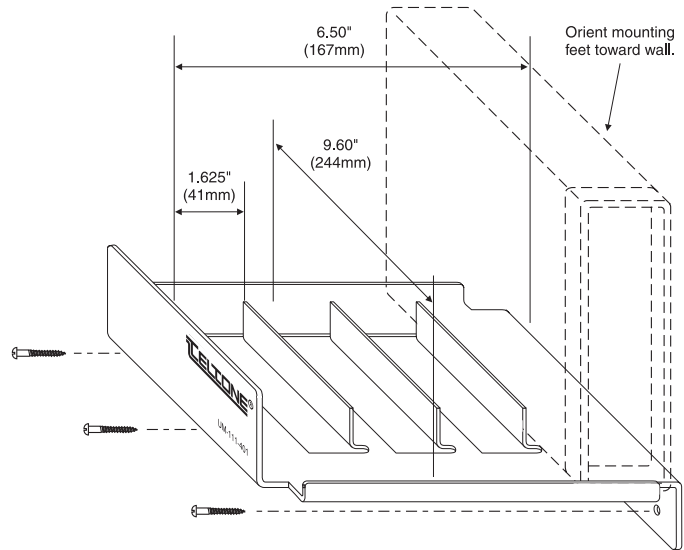


Equipment Mounting Options

Teltone offers several choices of mounting arrangements for your equipment. For more information, call 1-800-426-3926 or 425-487-1515.

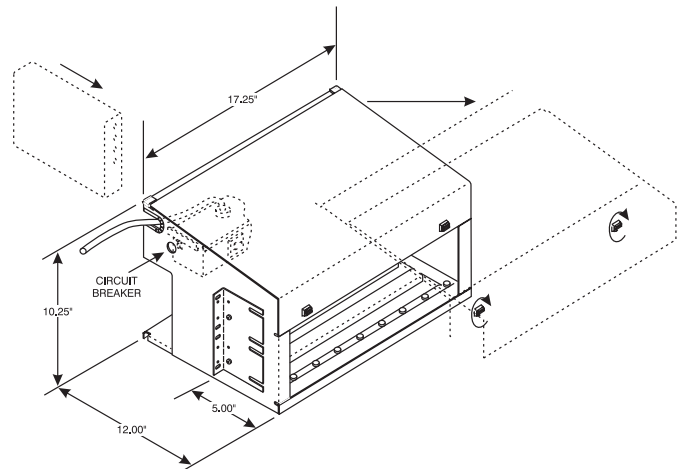
Universal Wall Mounting Bracket

The Universal wall Mounting Bracket (UM-111-401) enables wall mounting of up to four Teltone OfficeLink I, M-106E, Line Sharing Switch, or T-311 units. Constructed of 14-gauge steel, the bracket will hold units up to 1.625" wide by 9.6" long.



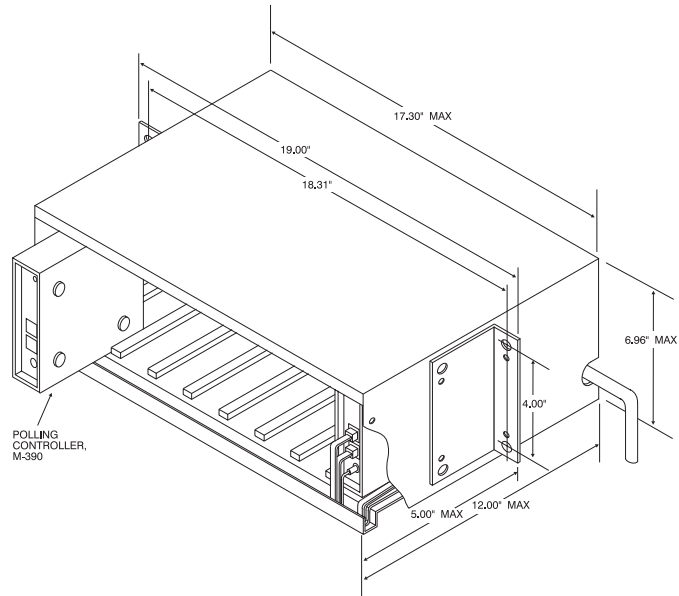
Universal Mounting Shelf

The Universal wall Mounting Shelf (UM-113-801) is a sheet metal housing for mounting of up to eight Teltone OfficeLink I, M-106E, Line Sharing Switch, or T-311 units. The shelf is designed for mounting in a standard 19" or 23" equipment rack. An eight outlet power strip is built into the unit.



Polling Controller Carrier

The Polling Controller Carrier (UM-112-801) enables rack mounting of up to eight Teltone M-390 Polling Controllers. The shelf is designed for mounting in a standard 19" or 23" equipment rack. An internal 24-volt DC power supply connected to 120 volt AC wall power serves the eight units.



Wall Mounting Strap

The Wall Mounting Strap (UM-110-101) is a sheet metal bracket for wall mounting a single Teltone OfficeLink I, M-106E, Line Sharing Switch, or T-311 unit.

